

Second Wind NEMA 4 Air Purifiers

Installation and Maintenance Manual

Models: 3018/3024/3032

SAFETY CONCERNS

Please read all instructions carefully to help ensure a correct and SAFE installation of your Second Wind Ultraviolet Germicidal Air Purifier. Failure to do so could damage the equipment or cause harm to yourself or others. Only qualified Heating Ventilation and Air Conditioning (HVAC) technicians should perform the installation.

READ ALL WARNINGS AND CAUTIONS

WARNING: FAILURE TO FOLLOW THESE RULES MAY RESULT IN SERIOUS PERSONAL INJURY

- 1 Read instruction manual before operating the units.
- 2 Eye damage may result from directly viewing the light produced by these lamps. To reduce the risk of exposure to UV radiation, take UV-radiation protective measures for personnel during servicing.
- 3 This fixture is designed for use with germicidal UV-C lamps and must be installed in compliance with competent technical directions so that user's eyes and bare skin will not be subjected to injurious rays.
- 4 UV Light Hazard. To prevent exposure to ultraviolet light, be sure the ultraviolet air treatment system is disconnected before servicing any part of the HVAC system or removing any access panel or the equivalent.
- 5 There shall not be any openings in the duct that would emit light.
- 6 There shall not be any duct supply or return air openings or any other openings that are in direct line-of-sight of the UV bulb.
- 7 Check damaged parts: Before further use of the unit, any damaged part should be carefully checked to ensure that the unit will operate properly. Any part that is damaged should be properly repaired or replaced.
- 8 Always service unit with Second Wind replacement parts & recommended accessories (i.e. lamps, ballast).

CAUTION:

- 1 Personal Injury Hazard. Power supply can cause electrical shock. Disconnect power supply before servicing or beginning installation.
- 2 Risk of exposure to excessive ultraviolet (UV) radiation—Do not operate without complete lamp enclosure in place or if sight lens is damaged.
- 3 Equipment Damage Hazard. Ultraviolet light can cause color shift or surface degradation and sometimes structural degradation of non-metallic components. Select mounting location that prevents exposure to plastic flexible duct components, polyurethane foam insulation material, rubber hoses, wire insulations, etc. If mounting options are limited, items above should be protected with ultraviolet resistant materials such as aluminum foil, aluminum duct tape, or metallic shields.

INSTALLATION LOCATION:

1. See page 4 for possible installation locations.
2. Products shall be mounted only on to metal air ducts.
3. Mounting shall be such that all surfaces in the duct where appliance forms parts of the duct shall be made of metal.
4. All wiring within adjacent heating and air conditioning equipment, for example, shall be shaded from direct line-of-sight from the UV bulb or shall be UV-rated.

CONTENTS

	PAGE
Safety & Installation Concerns	2
Table of Contents/Product Information	3
Installation Locations & Tools Required	4
Installation Instructions	5
Lamp Replacement & Replacement Parts	6
Troubleshooting & Warranty	7-8

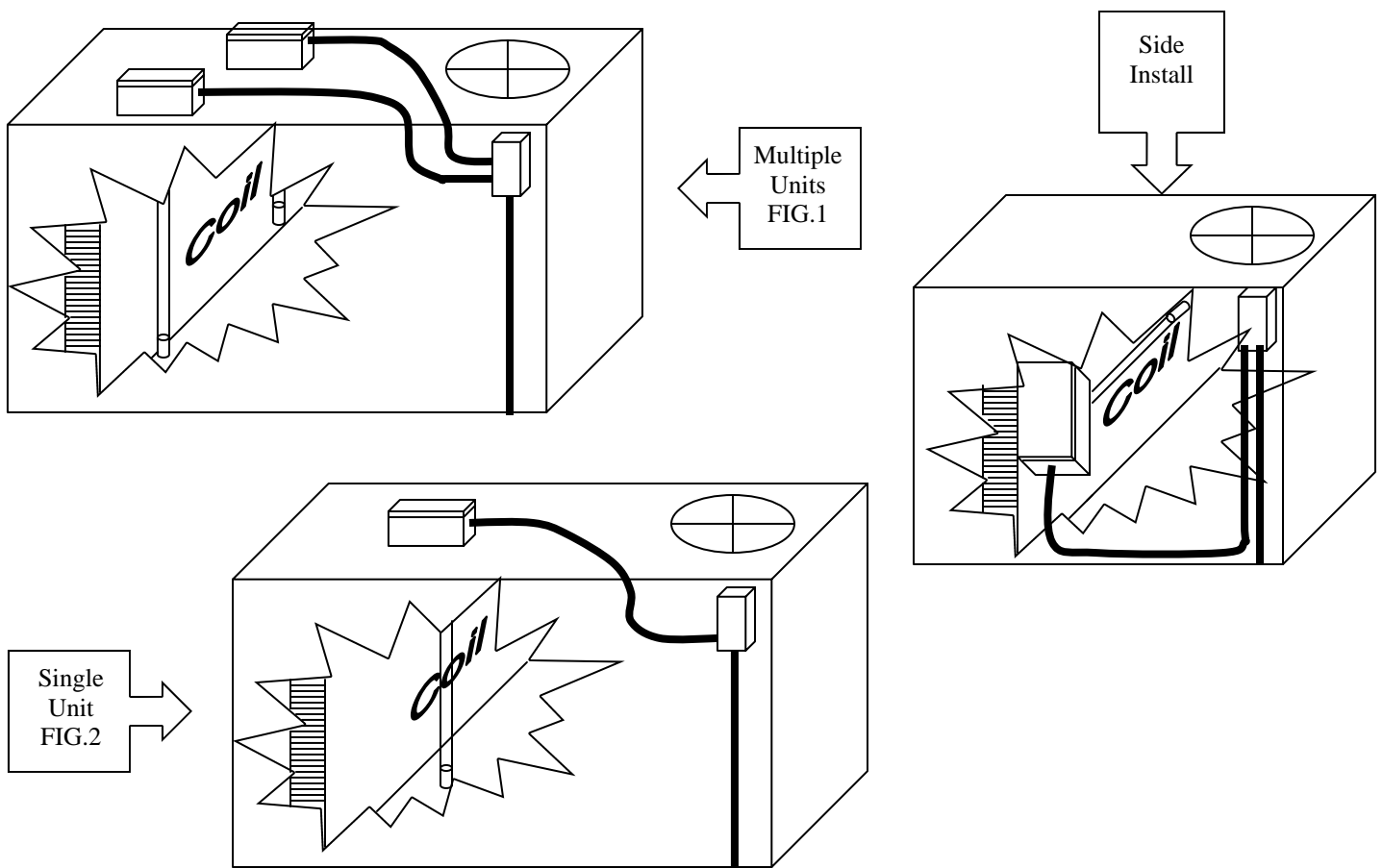
PRODUCT

All Second Wind NEMA air purifiers are designed to address Heating and Air Conditioning rooftop air handling units. Second Wind uses ultraviolet germicidal light at a frequency of 254 nanometers to disinfect biological growth on evaporator coils and drain pans. Some key features of the Second Wind NEMA 4 series:

- All weather NEMA 4 enclosure
- UL/CUL Listed
- Electronic start 120-277 vac power supply
- Improves efficiency, reduces maintenance
- High Output lamps
- Over 9000 hours lamp expectancy
- Class II medical device
- Registered with the EPA
- Three year unit warranty
- One year lamp warranty



Mounting Locations



Mounting Location

1. Install the lamps where you have easy access.
2. Before drilling into equipment, make sure that there is nothing in the way that would be damaged.
3. The lamp should be installed a minimum of 2-3 inches, maximum 39 inches, away from the coil or pan surface.
4. Use one or more units to treat the coil surface area, as shown in Fig.1 and Fig.2. Areas shaded from direct exposure to the lamps will not be disinfected. The greater the amount of coil and drain pan area exposed to the lamp, the greater the amount of biological disinfection. For approximate sizing, use the following approximated coverage areas for the units: 2000-230 OD—1200 square inches

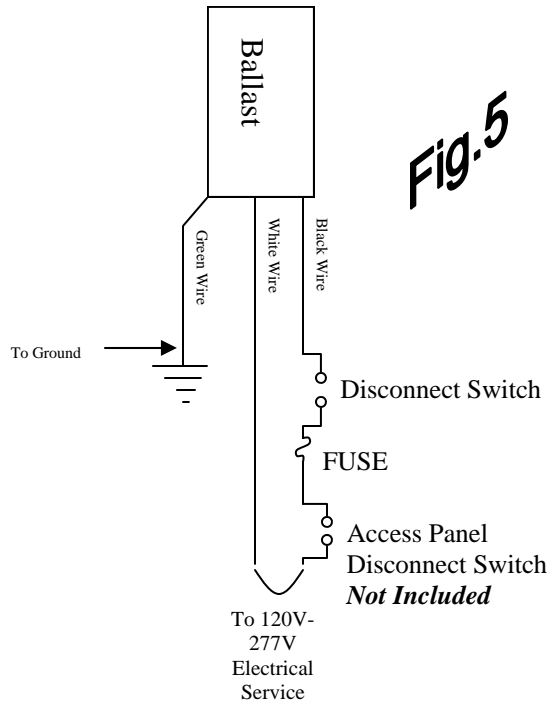
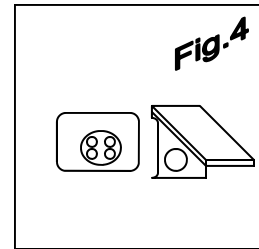
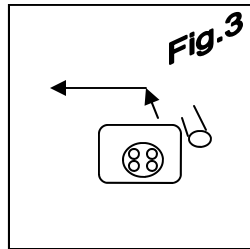
Installation Tools

- Electric Drill
- Phillips screwdriver
- 2"-2.25" hole cutter
- 3/32" drill bit
- Eye protection
- Tape measure
- Aluminum tape and sealant
- Number 10 nut driver
- Multimeter
- Weather proof conduit and conduit connector

INSTALLATION

- The installation should be done by a qualified HVAC contractor. Unit must be installed in compliance with all national and local electrical and mechanical codes. Failure to do so will void UL safety listing and Second Wind warranty.
- Read all safety instructions at the beginning of this manual. Failure to do so could lead to personal injury and/or equipment damage.
- In cases where molds are already present on the evaporator coil, it is recommended that a qualified HVAC technician clean the coil before the installation of the UV lamp.
- **Make sure the rooftop unit power has been shut off at the main power source before installation.**
- Safety interlock switches for the access panel are recommended but not supplied.
- **Protect all non-UV resistant materials from direct UV exposure with aluminum tape or metal conduit.**
- **CAUTION: Ultraviolet light can be harmful to your sight, do not look at the lamp when it is illuminated.**

1. Using the Second Wind NEMA unit as a template, mark the lamp and securing holes on the rooftop at the desired installation location. Remove the template.
2. Drill the lamp hole with a 2" - 2.25" hole cutter. With the 3/32" drill bit, make pilot holes for the mounting screws.
3. Check that the UNIT BASE lines up with the holes in the duct and that the UNIT BASE fully contacts the duct.
4. Apply the outdoor sealant to the pilot holes. Position the UNIT BASE so all the holes align. Use #10 x 5/8" or longer sheet metal screws and mount the UNIT BASE to the HVAC system.
5. Use the alcohol wipe to remove any dirt or fingerprints from the lamp.
6. Insert the lamp into the lamp hole. Place the bracket next to the ceramic lip of the lamp and screw the nuts until the lamp is secure, making a seal against the UNIT BASE (Fig 3-4).
7. Attach the lamp connector to the lamp. There is only one way to attach the connector to the lamp. If it does not go on, rotate the connector 90 degrees and try again.
8. Place warning labels (included) on the duct: one on the duct near the UV lamp and the other near the air handler.
9. With the cover of the NEMA enclosure still open, access the ballast and wiring. Install the proper weatherproof conduit on the bottom of the enclosure. Connect the electrical service through the conduit. Connect the black and white wires to power and the green wire to ground. Install access panel disconnect switch, NOT INCLUDED. Refer to the wiring diagram (Fig.5).
10. Close the cover, screw the cover closed to make sure the safety interlock switch is activated. Turn on electrical service, unit is always energized.



LAMP REPLACEMENT

The Second Wind Ultraviolet Germicidal Lamp is designed for 9000-11,000 hours of continuous operation. After 9000 hours, intensity of the lamp inside the duct diminishes and should be replaced. Even if the lamp is still illuminated, replacement of the lamp is recommended, by a qualified HVAC Service Technician.

- The installation should be done by a qualified HVAC contractor.
- 1. Disconnect electrical service
- 2. Open NEMA enclosure cover.
- 3. Disconnect the lamp connector from the lamp base.
- 4. Unscrew the nut for the lamp bracket and move or remove the bracket from the lamp base. Remove old lamp (Be careful old lamp may still be hot !).
- 5. Replace the old lamp with the new lamp, making sure the new lamp is clean. If the new lamp is dirty or has fingerprints on it, remove with an alcohol wipe.
- 6. Place lamp bracket next to new lamp base and secure with the nut.
- 7. Attach lamp connector to the lamp base.
- 8. Close the NEMA enclosure cover and screw tight to make sure the interlock switch is activated.
- 9. Turn on electrical service.

NOTE: The same procedures may be used to replace the 277V/3 amp fuse.

LAMP DISPOSAL

UV lamps contain mercury like other household lamps and must be disposed of properly. **State requirements and recycling opportunities vary, go to www.lamprecycle.com for State Regulations & Contacts.** Please contact your county waste collection department for proper disposal details.

USE GLOVES AND EYE PROTECTION

If a lamp is broken, **do not use a vacuum cleaner to pick up the waste or burn the lamps.** Instead, sweep up the waste into a plastic bag and seal. Contact your county waste collection department for proper disposal details.

REPLACEMENT PARTS

- 18 inch replacement lamp.....1076-2R Special
- 24 inch replacement lamp.....1097R Special
- 32 inch replacement lamp.....1081-2R Special
- Ballast 3.....5000BR

TROUBLESHOOTING

If the unit does not work, check the following:

Electrical Supply/Wiring—Verify that the electrical service is operating correctly.

Fuse—If the lamp is still not illuminated, turn off electrical supply and check the fuse. Look to see if FUSE is blown; or check fuse continuity with multi-meter.

Ballast—If lamp still is not illuminating, check the wiring to the ballast. If the ballast is wired properly and the lamp still does not illuminate, replace the ballast. With a fully electronic ballast there is no resistance testing.

Lamp—Verify that the lamp is not broken and is properly seated in the lamp connector. To check this, follow steps in the 'Lamp Replacement' section with one exception : you should not remove and replace the lamp. If the lamp is broken, read the 'Lamp Disposal' section of this manual.

SECOND WIND AIR PURIFIER LIMITED WARRANTY APPLIES IN U.S.A. AND CANADA

All Second Wind Air Purification systems that are attached to your Heating, Ventilation and Air Conditioning System (HVAC) have a (3) three year unit warranty. The lamps for all the HVAC attached units have a (1) year warranty.(MODELS: 2000-230 OD,3018, 3024, 3032)

ONE (1) YEAR COVERAGE LAMPS

The lamps are warranted by Second Wind for a period of one (1) year from the date of the original installation, when installed and operated in accordance with Second Wind recommendations. If during this period a lamp fails, Second Wind will provide a free replacement. You must pay shipping charges and all other costs of warranty service. Second Wind will not pay labor involved in diagnostic calls or in removing, servicing, or replacing parts.

THREE (3) YEAR COVERAGE UNIT

The covered equipment and covered components are warranted by Second Wind for a period of three (3) years from the date of the original unit installation when installed and operated in accordance with Second Wind recommendations. If, during this period, a covered component fails, Second Wind will repair or replace the part. You must pay shipping charges and all other costs of warranty service. Second Wind will not pay labor involved in diagnostic calls or in removing, servicing, or replacing parts.

REPAIRS

All repairs of covered components must be made with authorized service parts. Labor charges resulting from diagnostic calls or service are not covered by this warranty.

CARE OF EQUIPMENT

Your new Second Wind Air Purifier must be properly installed, operated and maintained in accordance with the unit installation, operation, and maintenance instructions provided with each unit. Failure to provide maintenance per Second Wind instructions will void warranty.

WARRANTY LIMITATIONS

This warranty will be voided if the covered equipment (only second wind replacement parts or units are warranted) is removed from the original installation site. This warranty does not cover damage or defect resulting from:

- 1 Accident, or neglect or unreasonable use or operation of the equipment, including operation of electrical equipment at voltages other than the range specified on the unit name plate.
- 2 Modification, change or alteration of the equipment, except as directed by Second Wind.

The furnishings of replacement parts under terms of this warranty will apply to the original warranty period and will not extend the warranty.

Second Wind makes no express warranties other than the warranty specified above. All implied warranties, including the implied warranty of merchantability and fitness for a particular purpose, are limited to the duration of the warranty specified above. Liability for incidental and consequential damages is excluded and is not covered by this warranty. Some States do not allow limitations on the duration of an implied warranty or the exclusion or limitation of incidental or consequential damages, so the limitations or exclusions may not apply to you.

This warranty gives you specific legal rights, and you may also have other rights which vary from state to state.

Second Wind shall not be liable for any default or delay in performance under this warranty caused by any contingency beyond their control.

WARRANTY PROCEDURES

All Second Wind Air Purification systems that are attached to your Heating, Ventilation and Air Conditioning System (HVAC) have a (3) three year limited warranty. The lamps have a (1) year warranty.

- 1 Be prepared to furnish the following information:
 - a- Complete model number and serial number
 - b- Proof of installation date if warranty claim is made by other than a qualified service dealer who maintains records of your installation date and service history.
 - c- An accurate description of the problem.
 - d- Date of failure.
- 2 Call the installing dealer that you purchased your Second Wind unit from.
- 3 If the installing dealer is unable to provide warranty parts, contact:

Call, write, fax or e-mail: Second Wind Air Purifiers
255 Great Arrow Avenue.
Unit 20C
Buffalo, NY 14207

Ph: 1-800-387-4565

Fx: 716-875-5751

Web: www.secondwindairpurifier.com